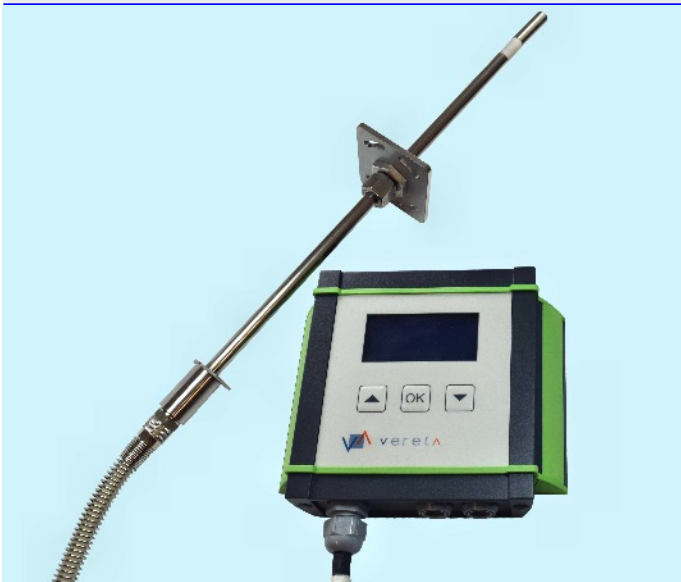


Description

Robust high temperature mass flow sensor without moving parts for measuring flow velocity in air and gases as well as determination volume and mass flow. Patented system enables from from 0 m/s. No range limitation at zero point. The compact totally closed metallic sensor tips allows operations at polluted environments and if required easy cleaning. Furthermore the electrochemically polished tip makes it suitable for high quality application required in the pharmaceutical industry.

MFS-HT800



Sensor with programming and display unit to show measured values, error reports and if required change factory calibration setting.

Merkmale

- Mass flow measuring
- Pressure - and temperature compensated
- Low pressure drop
- Easy mounting
- Programmable display unit

Applications

- Volume flow in tubes
- Drying systems
- Burner control
- Volume control systems
- Exhaust air systems

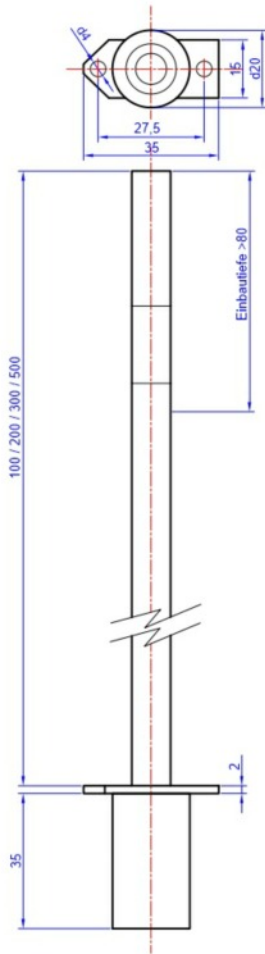
Technica data

Measuring range flow @ 20 °C/1.013,25 hPa	a) 0 ... 20 m/s b) 0 ... 50 m/s (other range on request)
Measuring range temperature	0 ... 700 °C
Media	Air, nitrogen other gases on request
Measuring tolerances flow Version A, function tested Version B, calibrated	± 10% ± 5%
Measuring tolerance temperature	± 5%
Repeatability flow	< 0.5 %
Response time (t₉₀) flow	90 s
Response time (t₉₀) flow	30 s
Operating temperature Measuring tip Electronics	-20 ... + 700 °C + 5 ... + 60 °C
Operating pressure (tip)	700 ... 40.000 hPa
Output (potential free)	4 ... 20 mA (Load ≤ 600 Ω) 0 ... 10 V (Load ≥ 10 kΩ)
Supply voltage Supply current	22 ... 26 VDC 1.4 A
Electrical connector Analogue output Supply voltage	Plug M12 4 pole Plug M12 2 pole
Dimensions Measuring tip Mounting bracket (optional) Measuring tip cable length Electronic case	See drawing overleaf See drawing overleaf 3 m 121 x 125 x 36,5 154 x 135 x 36,5 mm (with bracket)
Materials Measuring tip Mounting bracket Compression fitting Measuring tip cable Electronic case	Chrome-nickel 1.4541 / ceramics Chrome-nickel 1.4301 Chrome-nickel 1.4571 Nickel with fibre glass isolation for temperatures up to 400 °C Aluminium
Protection class	Measuring tip IP 67 Electronics IP 50

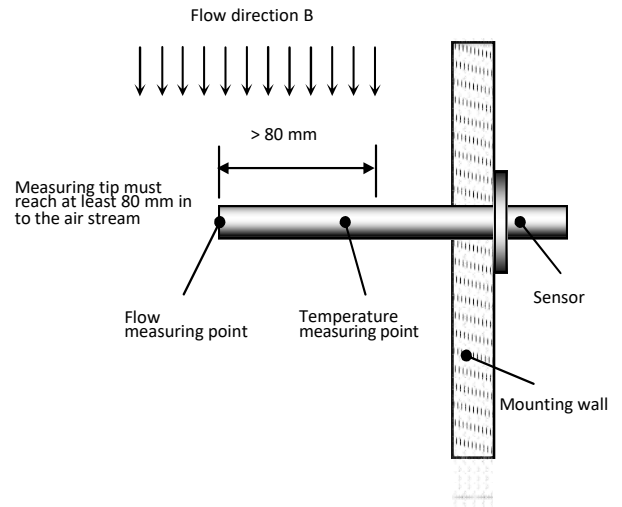
Information and sales

Vereta GmbH • Hansestrasse 6 • D-37574 Einbeck/Germany
Tel.: +49 5561 9245 25
Email: Info@vereta.com

Dimensions measuring tip

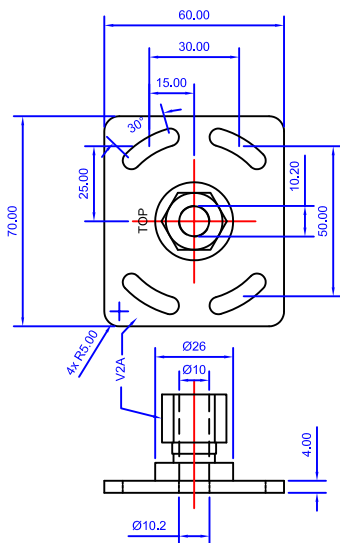


Sensor mounting

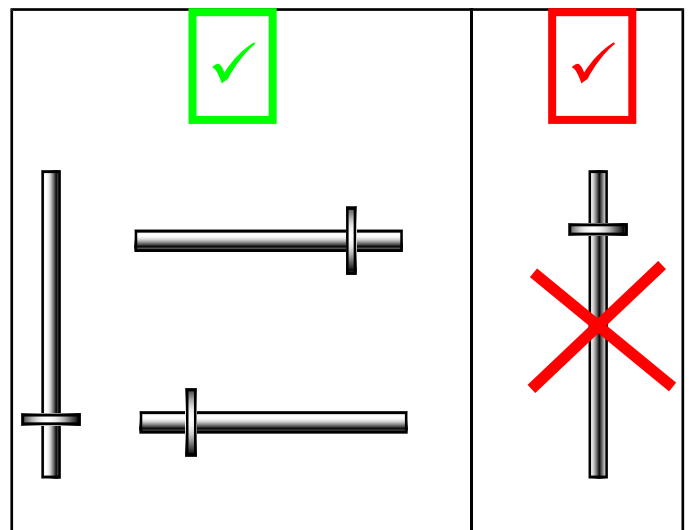


Attention:
Specifications are valid for laminar flow. At measuring point therefore sufficient straight inlet and outlet distances have to be considered. Distances are depending on disturbance (i.e. reduction, single/multiple bows, valves etc.) and should be at least 2 ... 34 x D (tube diameter)

Mounting bracket with compression fitting



Mounting orientations



Information and sales

Vereta GmbH Hansestrasse 6. D-37574 Einbeck/Germany
Tel.: +49 5561 9245 25
Email: Info@vereta.com